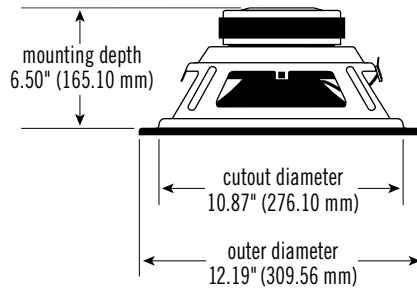


SPECIFICATIONS

DIAMETER:	12" (304.8 mm)
SENSITIVITY (2.83 V @ 1 m):	96 dB (IN-CAR @ 40 Hz)
POWER HANDLING:	350 W _{RMS} (1,400 W _{PEAK})
FREQUENCY RESPONSE:	18 ~ 150 Hz
NOMINAL IMPEDANCE:	4 OHMS
VOICE-COIL DIAMETER:	2.0" (50.8 mm)

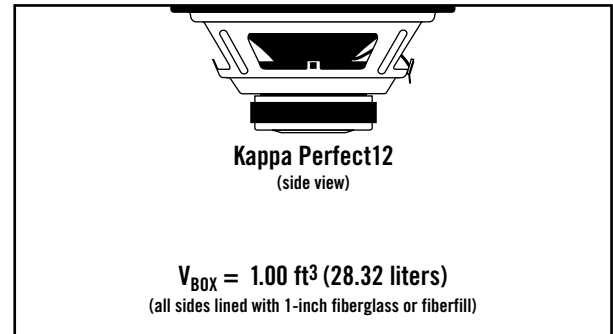
DIMENSIONS:



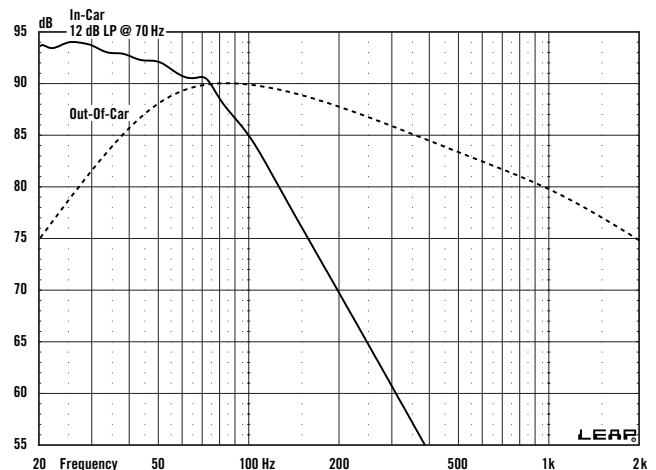
THIELE-SMALL PARAMETERS

VOICE COIL DC RESISTANCE:	R_{EVC} (OHMS)	4.00
VOICE COIL INDUCTANCE @ 1 kHz:	L_{EVC} (MH)	3.05
DRIVER RADIATING AREA:	S_D (IN ²)	81.94
	S_D (CM ²)	531.00
MOTOR FORCE FACTOR:	BL (TM)	16.90
COMPLIANCE VOLUME:	V_{AS} (FT ³)	3.53
	V_{AS} (LITERS)	83.28
SUSPENSION COMPLIANCE:	C_{MS} (μM/N)	208.00
MOVING MASS, AIR LOAD:	M_{MS} (GRAMS)	224.00
MOVING MASS, DIAPHRAGM:	M_{MD} (GRAMS)	216.96
FREE-AIR RESONANCE:	F_S (Hz)	23.32
MECHANICAL Q:	Q_{MS}	10.28
ELECTRICAL Q:	Q_{ES}	0.46
TOTAL Q:	Q_{TS}	0.44
MAGNETIC-GAP HEIGHT:	H_{AG} (IN)	0.39
	H_{AG} (MM)	9.80
VOICE-COIL HEIGHT:	H_{VC} (IN)	1.50
	H_{VC} (MM)	38.10
MAXIMUM EXCURSION:	X_{MAX} (IN)	0.56
	X_{MAX} (MM)	14.15

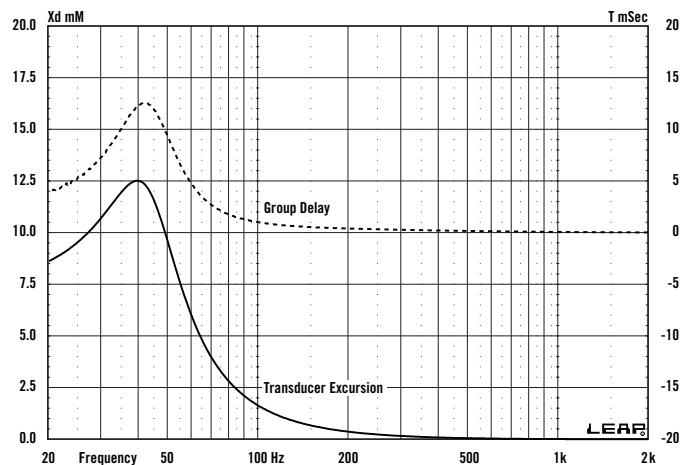
SEALED BOX VOLUME



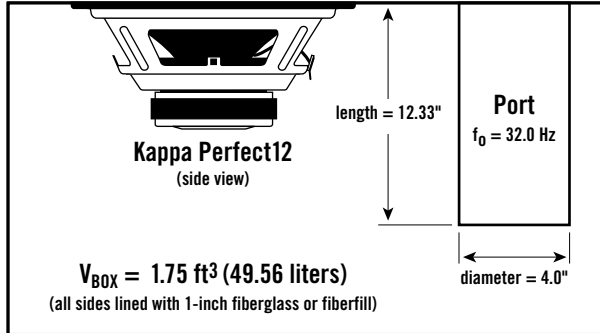
SEALED FREQUENCY RESPONSE @ 2.83 V



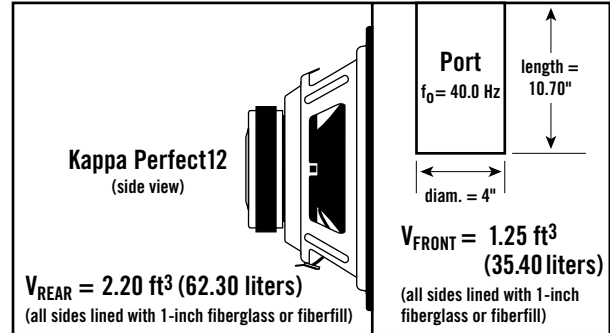
SEALED EXCURSION/GROUP DELAY @ 500 W



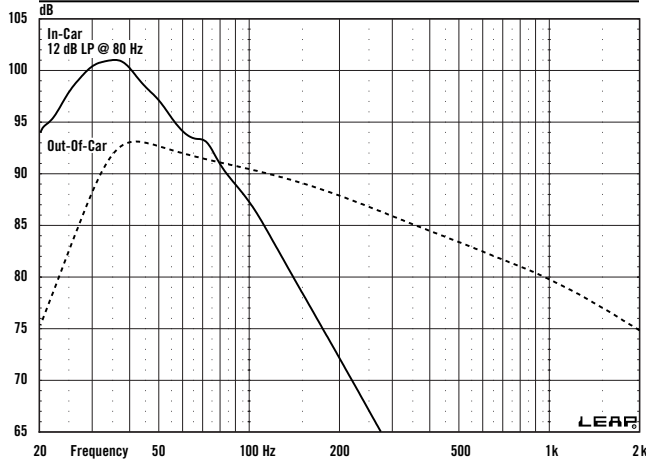
**VENTED
BOX VOLUME**



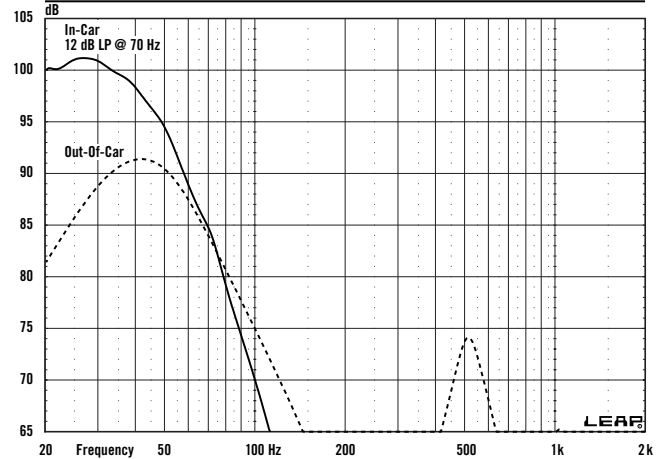
**SEALED BANDPASS
BOX VOLUME**



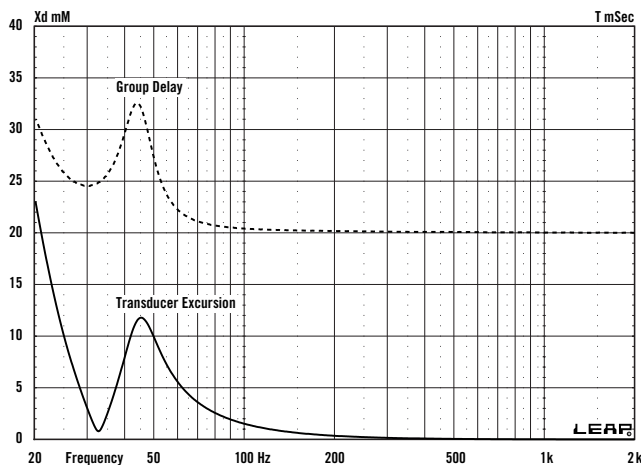
**VENTED
FREQUENCY RESPONSE @ 2.83 V**



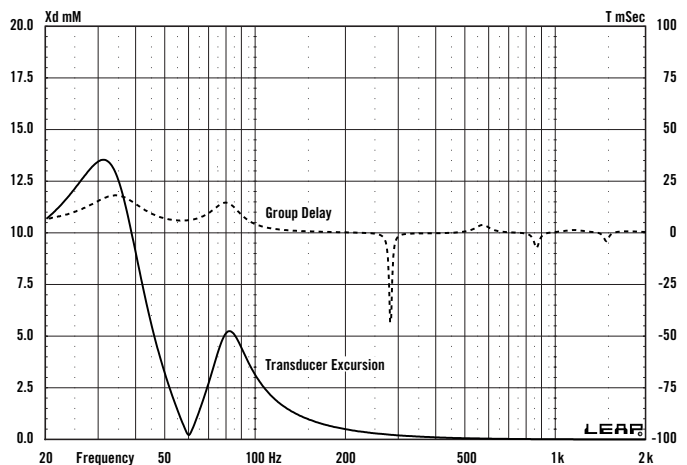
**SEALED BANDPASS
FREQUENCY RESPONSE @ 2.83 V**



**VENTED
EXCURSION/GROUP DELAY @ 650 W**



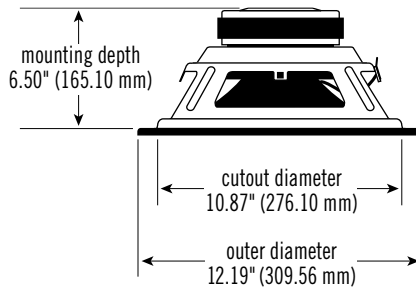
**SEALED BANDPASS
EXCURSION/GROUP DELAY @ 350 W**



SPECIFICATIONS

DIAMETER:	12" (304.8 mm)
SENSITIVITY (2.83 V @ 1 m):	96 dB (IN-CAR @ 40 Hz)
POWER HANDLING:	350 W _{RMS} (1,400 W _{PEAK})
FREQUENCY RESPONSE:	18 ~ 150 Hz
NOMINAL IMPEDANCE:	4 OHMS
VOICE-COIL DIAMETER:	2.0" (50.8 mm)

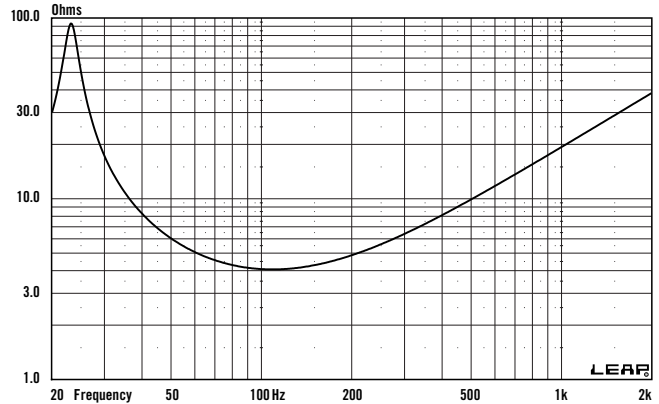
DIMENSIONS:



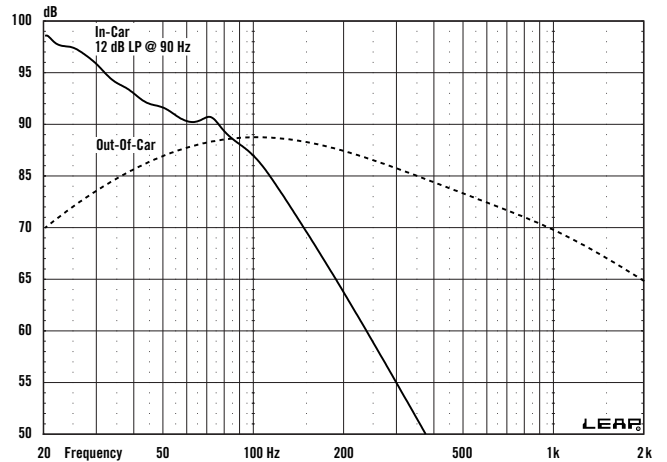
THIELE-SMALL PARAMETERS

VOICE COIL DC RESISTANCE:	R_{EVC} (OHMS) 4.00
VOICE COIL INDUCTANCE @ 1 kHz:	L_{EVC} (MH) 3.05
DRIVER RADIATING AREA:	S_D (IN ²) 81.94
	S_D (CM ²) 531.00
MOTOR FORCE FACTOR:	BL (TM) 16.90
COMPLIANCE VOLUME:	V_{AS} (FT ³) 3.53
	V_{AS} (LITERS) 83.28
SUSPENSION COMPLIANCE:	C_{MS} (μM/N) 208.00
MOVING MASS, AIR LOAD:	M_{MS} (GRAMS) 224.00
MOVING MASS, DIAPHRAGM:	M_{MD} (GRAMS) 216.96
FREE-AIR RESONANCE:	F_S (Hz) 23.32
MECHANICAL Q:	Q_{MS} 10.28
ELECTRICAL Q:	Q_{ES} 0.46
TOTAL Q:	Q_{TS} 0.44
MAGNETIC-GAP HEIGHT:	H_{AG} (IN) 0.39
	H_{AG} (MM) 9.80
VOICE-COIL HEIGHT:	H_{VC} (IN) 1.50
	H_{VC} (MM) 38.10
MAXIMUM EXCURSION:	X_{MAX} (IN) 0.56
	X_{MAX} (MM) 14.15

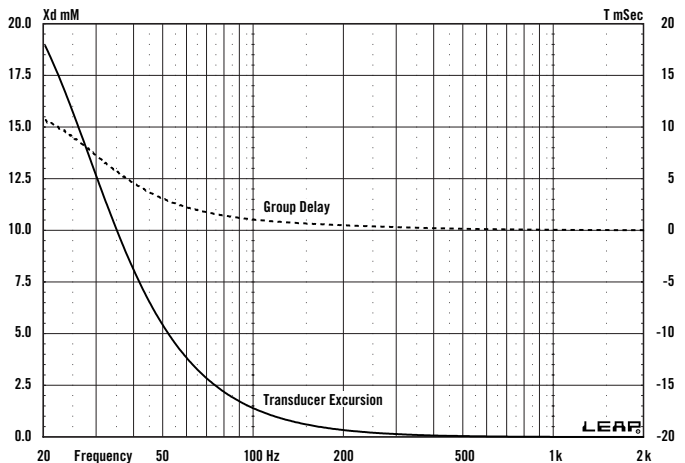
IMPEDANCE CURVE



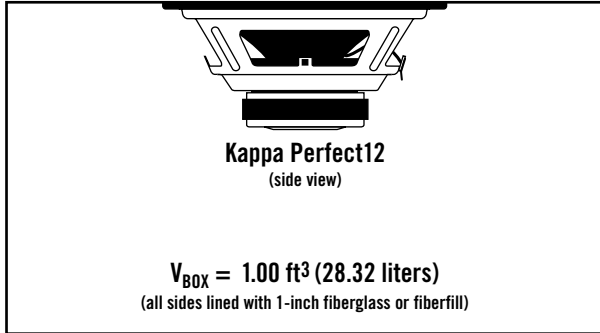
INFINITE BAFFLE FREQUENCY RESPONSE @ 2.83 V



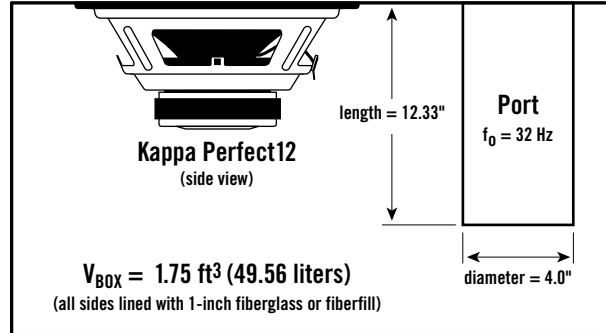
INFINITE BAFFLE EXCURSION/GROUP DELAY @ 250 W



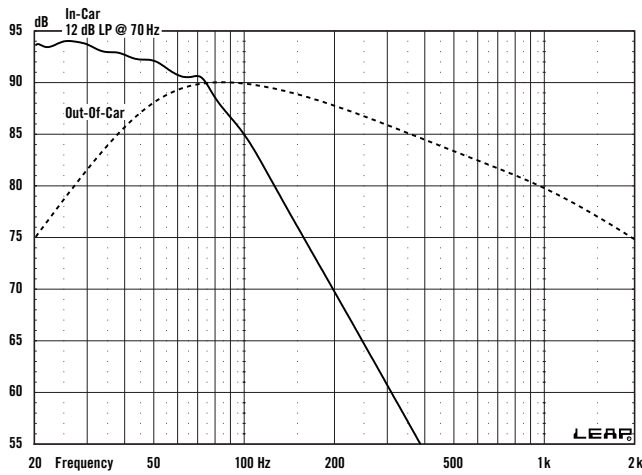
SEALED BOX VOLUME



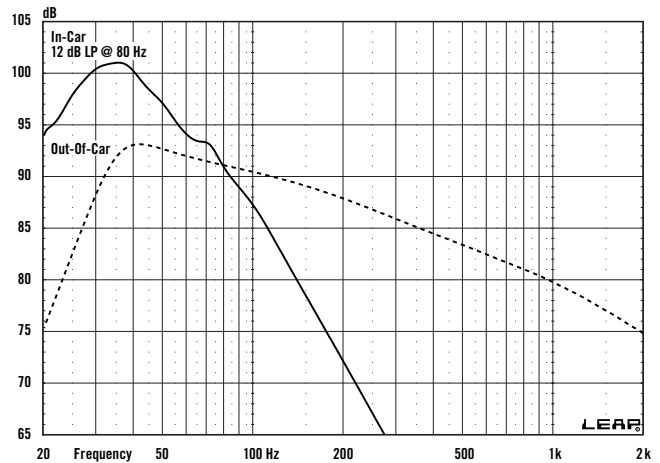
VENTED BOX VOLUME



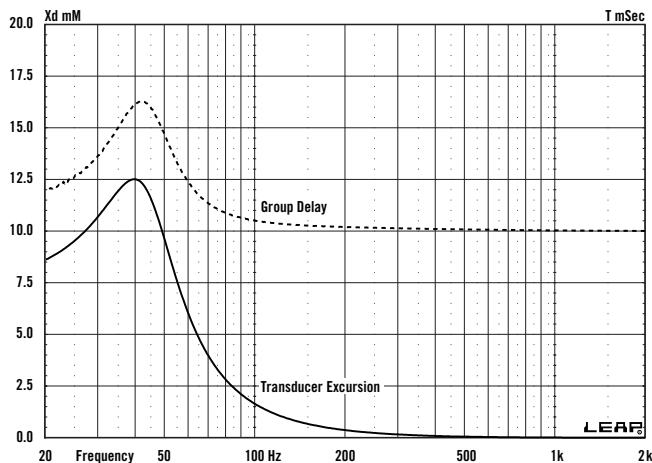
SEALED FREQUENCY RESPONSE @ 2.83 V



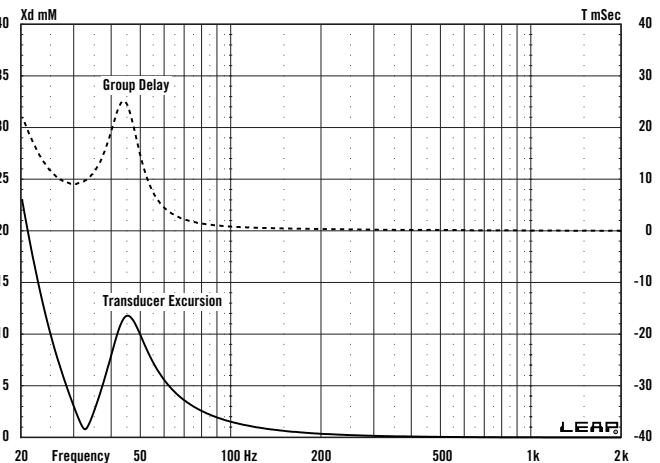
VENTED FREQUENCY RESPONSE @ 2.83 V



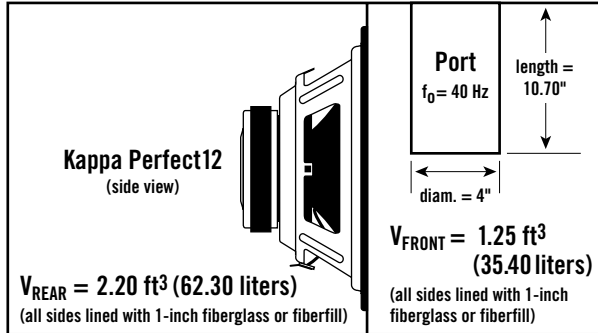
SEALED EXCURSION/GROUP DELAY @ 500 W



VENTED EXCURSION/GROUP DELAY @ 650 W

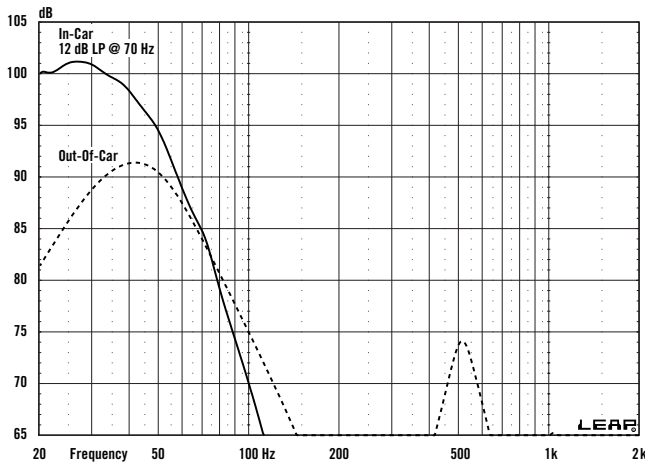


SEALED BANDPASS BOX VOLUME



NOTES

SEALED BANDPASS FREQUENCY RESPONSE @ 2.83 V



SEALED BANDPASS EXCURSION/GROUP DELAY @ 350 W

